

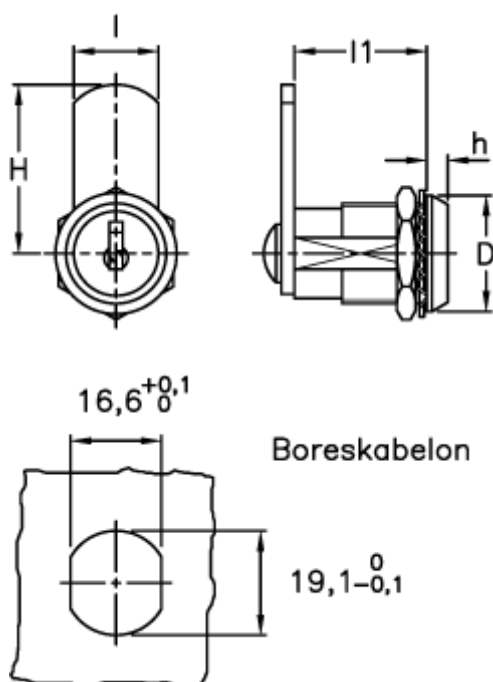
# Data Sheet



Article number: 2310421453

Description: E+G Latch w/lock  
CSU.16/32

## Measures



D = 23

H = 32

h = 5

l = 16

l1 = 16